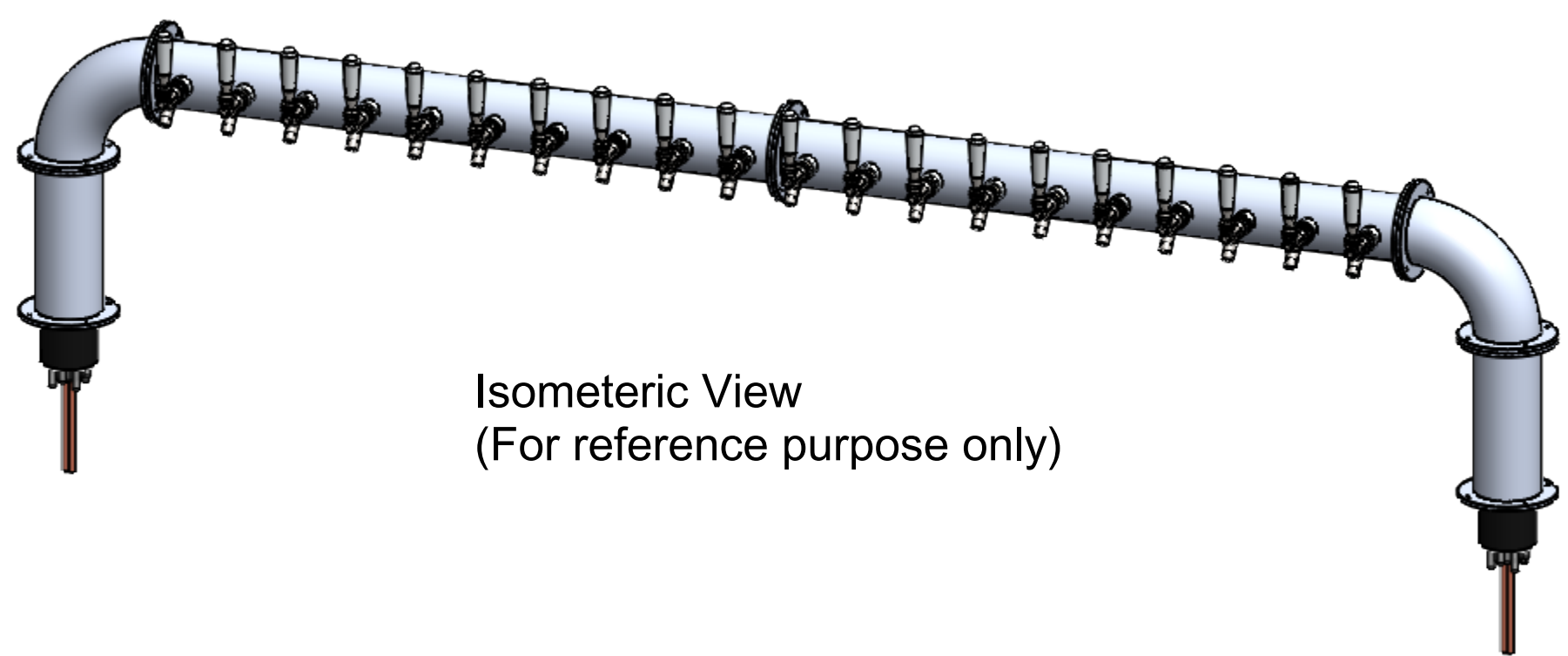
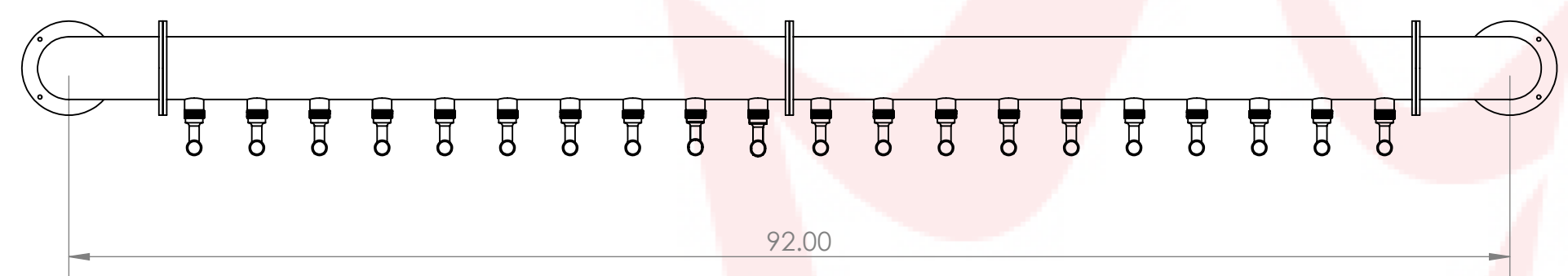


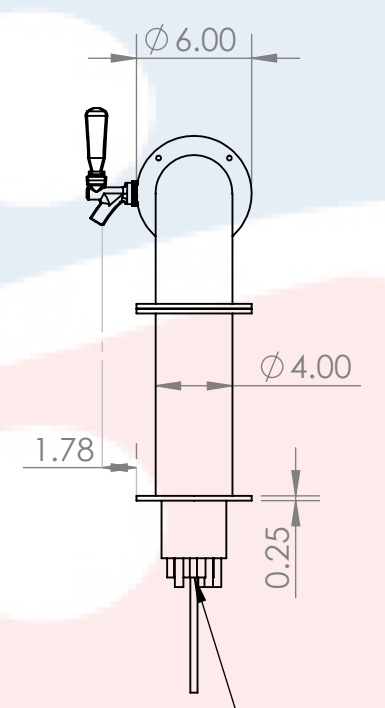
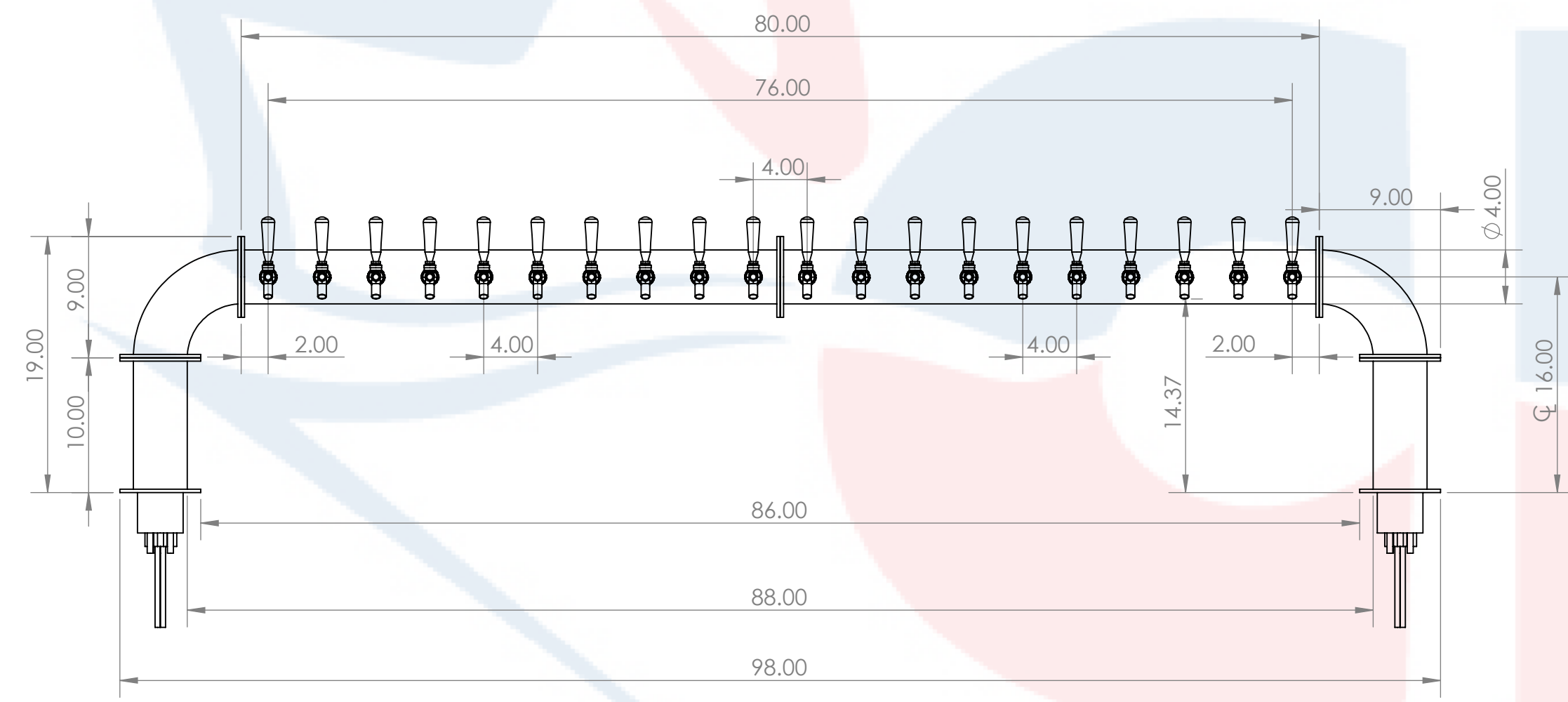
A B C D E F G H I J K L M N O P Q R S T U V W X

15
14
13
12
11
10
9
8
7
6
5
4
3
2
1

15
14
13
12
11
10
9
8
7
6
5
4
3
2
1

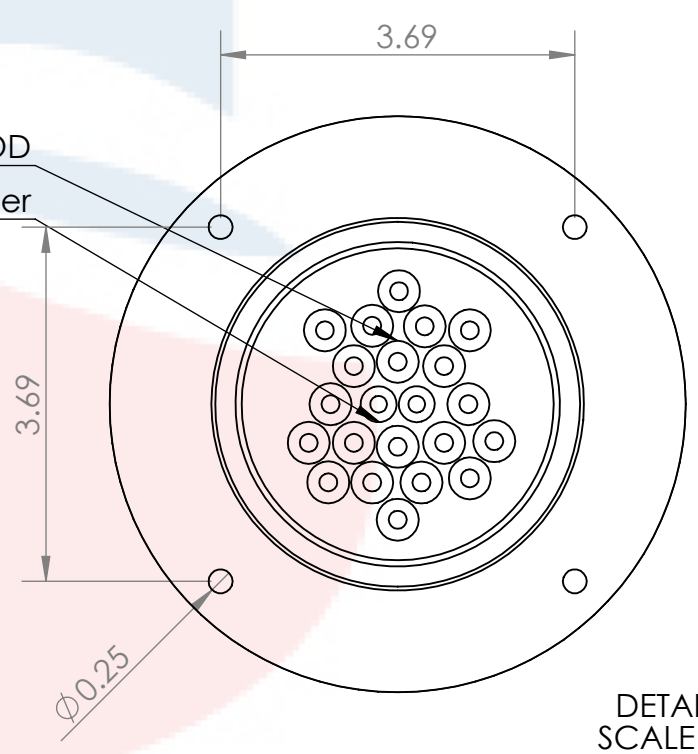


Isometric View
(For reference purpose only)

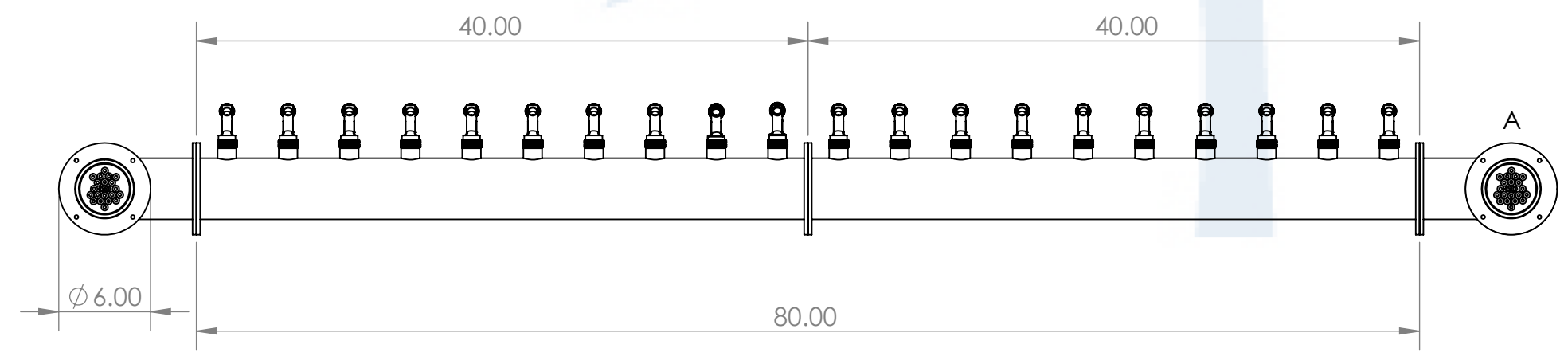


304SS tube connected to CBS NSF Flexible
Total Barrier Tubing to 15lbs of Restriction

20 beer lines: 3/16" ID x 7/16" OD
2 recirculation lines: 3/8" OD ACR copper



DETAIL A
SCALE 1:2



Suggested Drip Tray:
1 x BB701339 - 39" x 7" BSS Drip Tray
1 x BB702439 - 39" x 7" BSS Spray Drip Tray



Name		Date		Title:	
Drawn by:	Canadian Beverage Supply Inc.	11/24/2022		4" 20 Tap Lions Gate Tower	
Approved by:	VP Sales				
Material:	304 SS	Finish:	Brushed SS	Part Number:	BB102629-20SSCK
Unless otherwise mentioned, dimensions are inches				Revision:	
				SCALE:	1:10
				SHEET 1 OF 1	

A B C D E F G H I J K L M N O P Q R S T U V W X